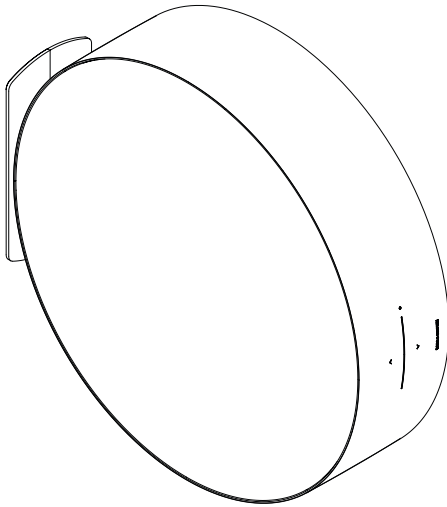
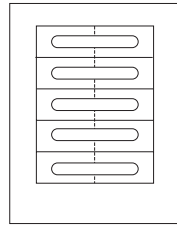
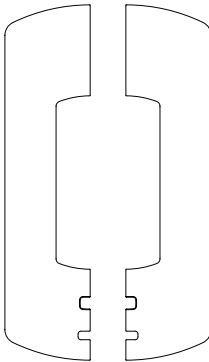
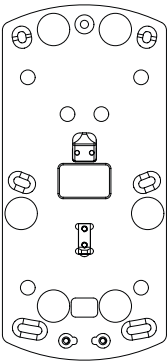
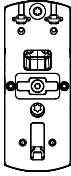
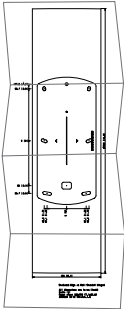


# BEOSOUND EDGE WALL MOUNT



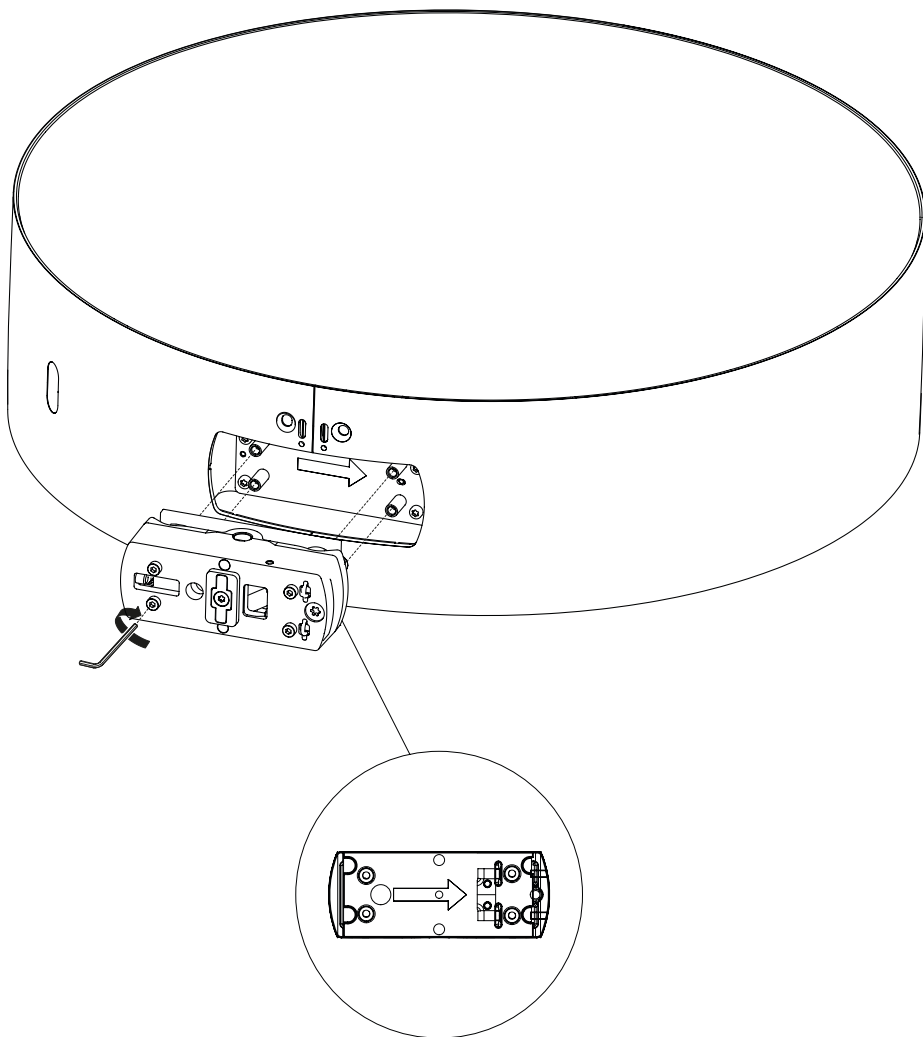
BANG & OLUFSEN

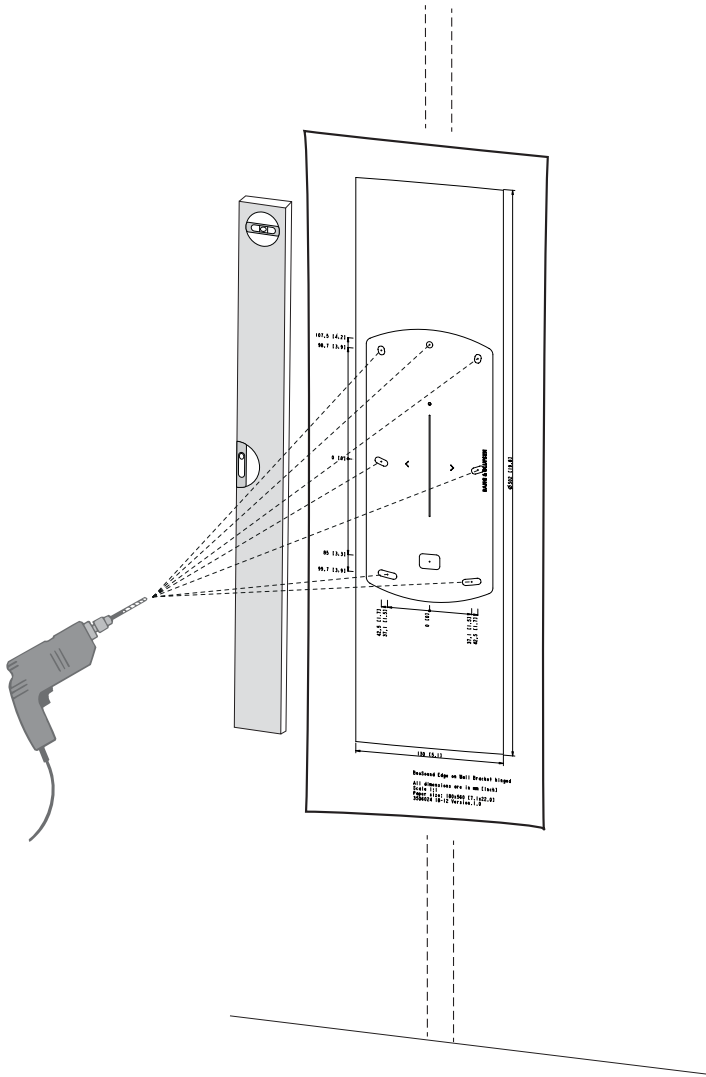


2 x 

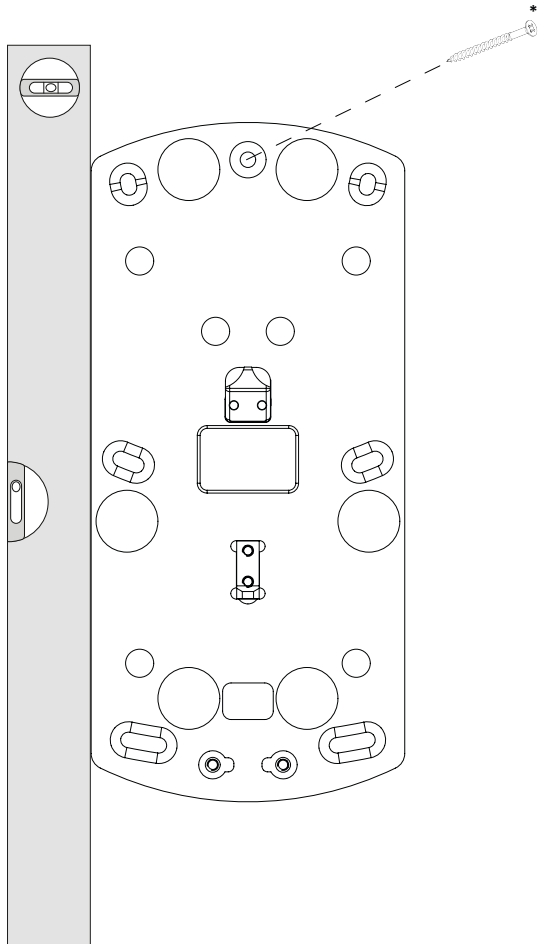
5 x 

1

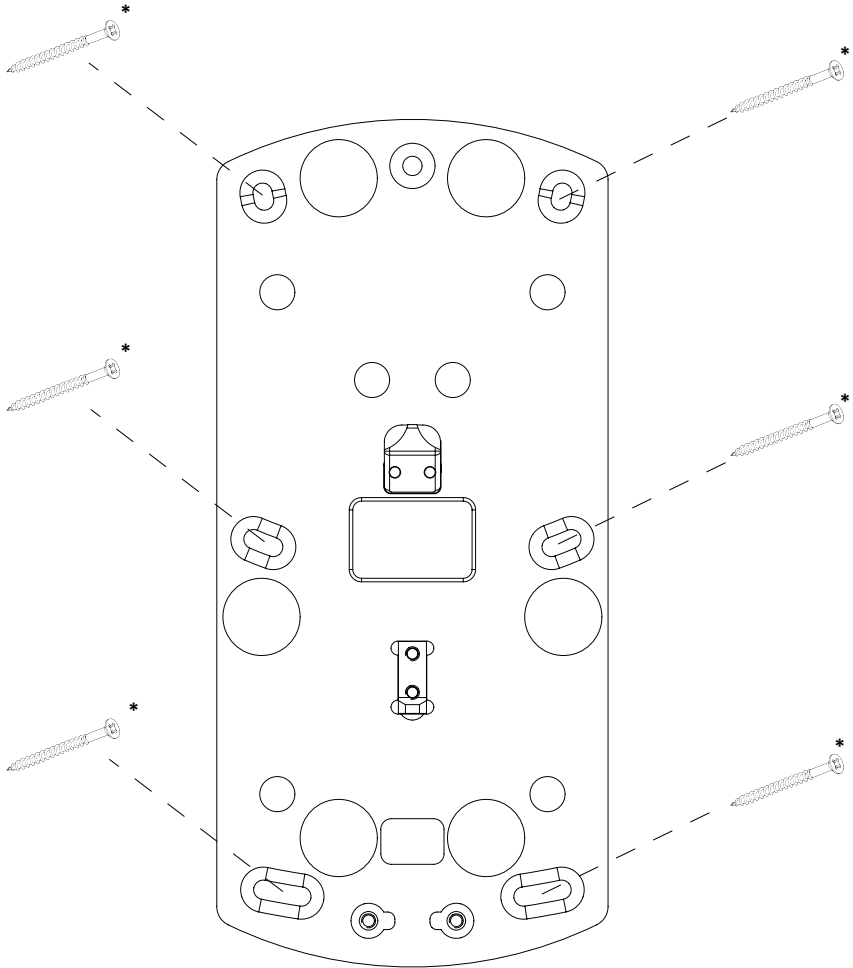


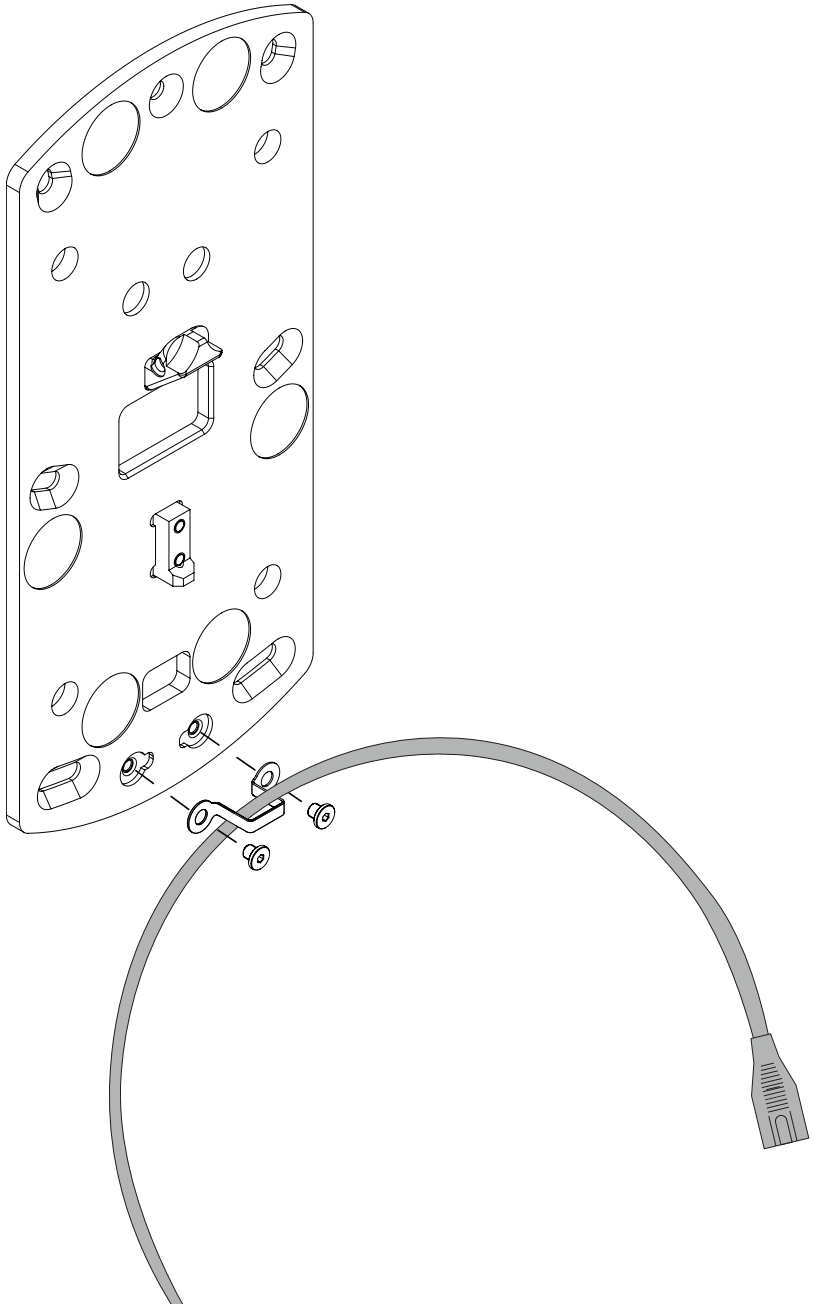


3

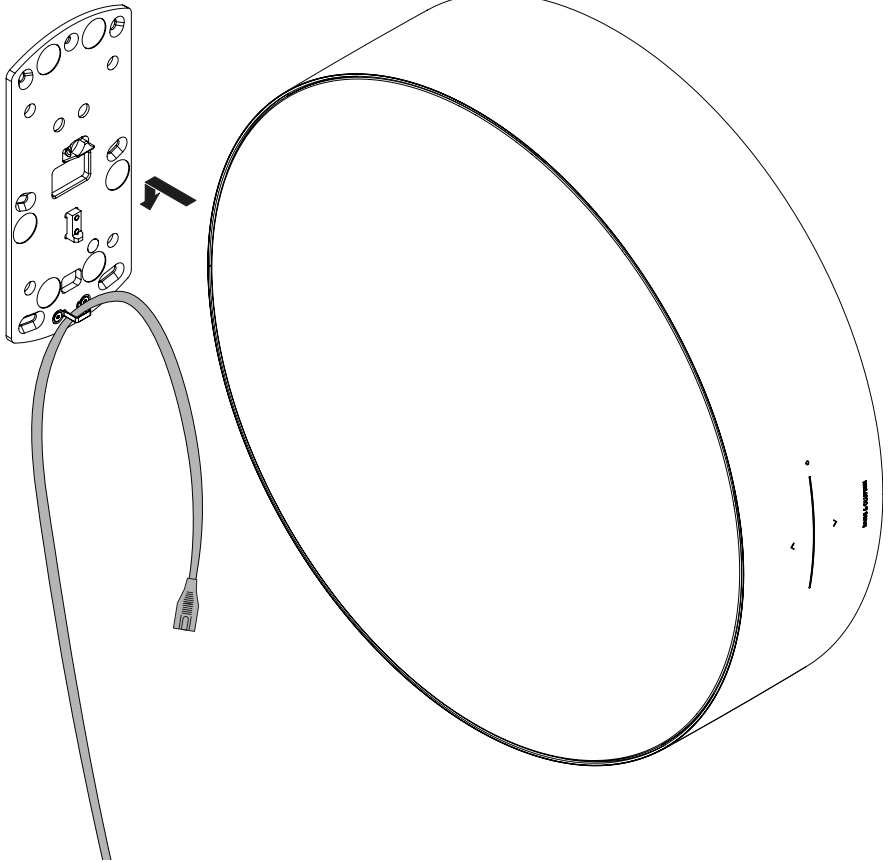


4



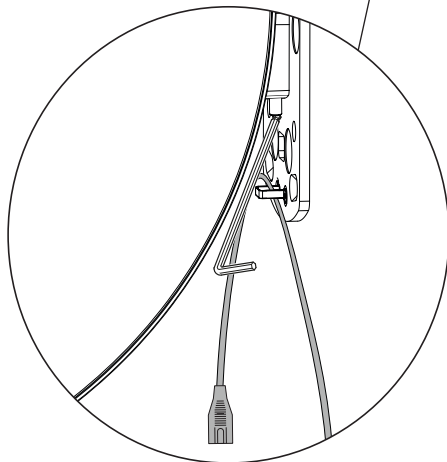
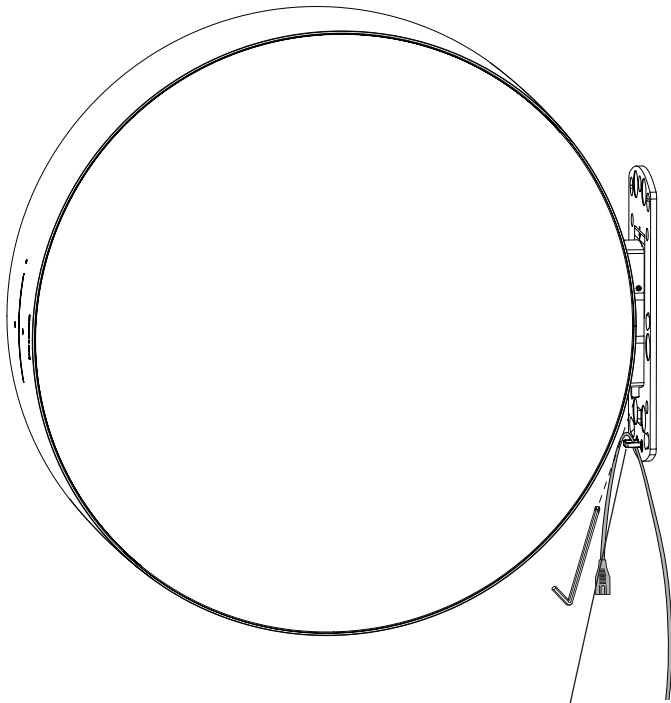


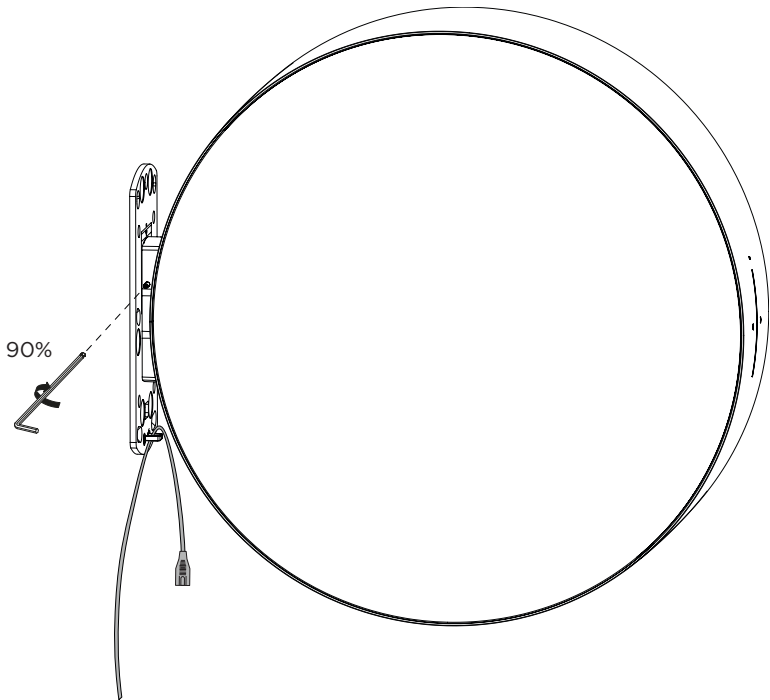
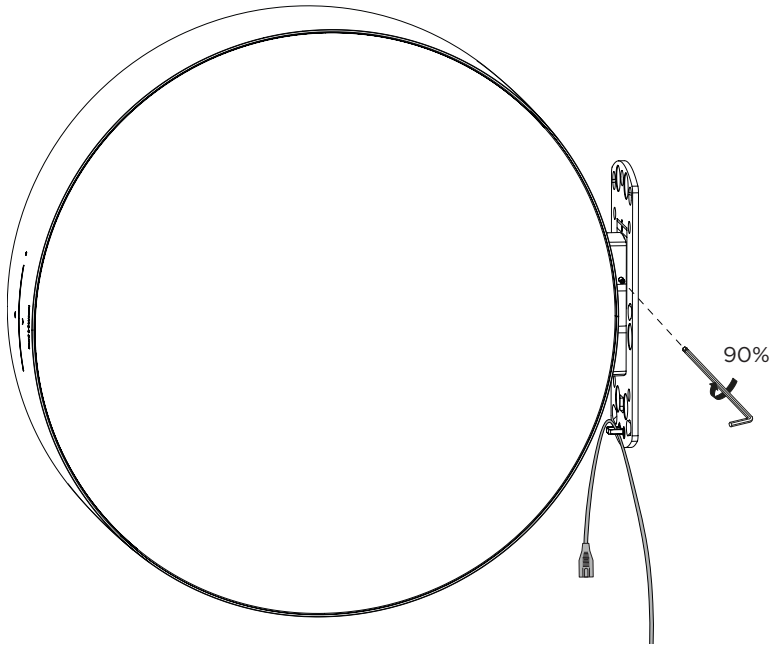
6

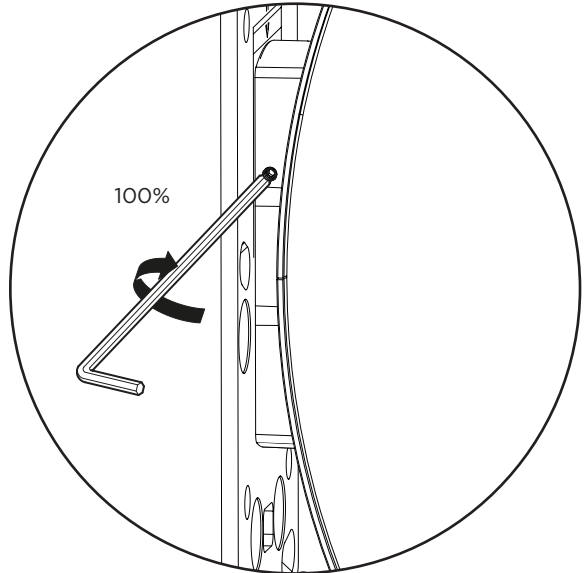
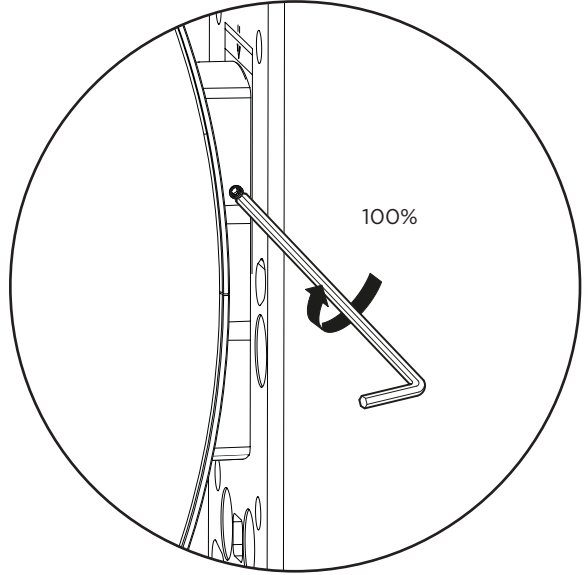
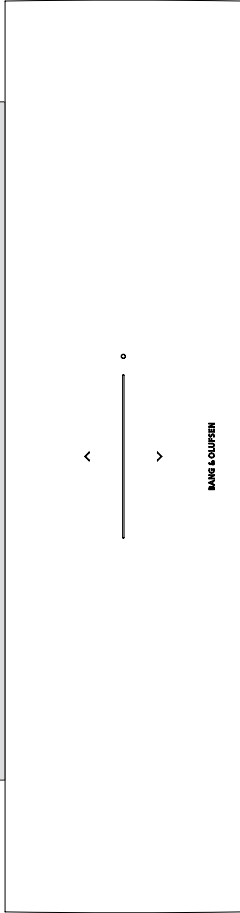
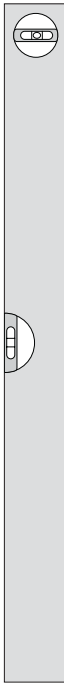


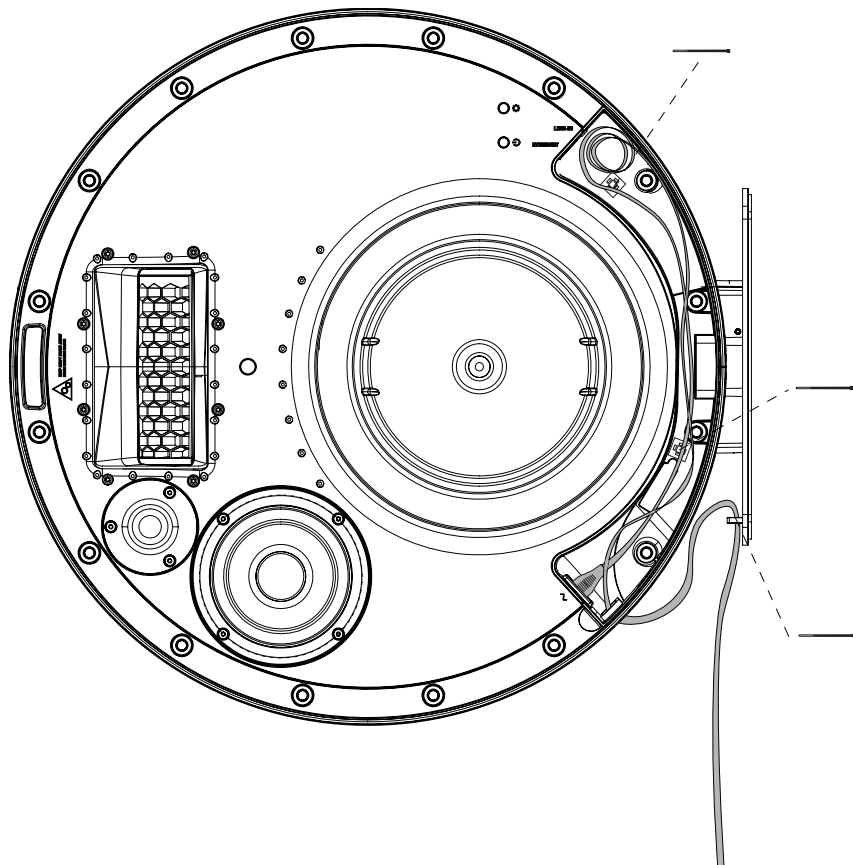


7

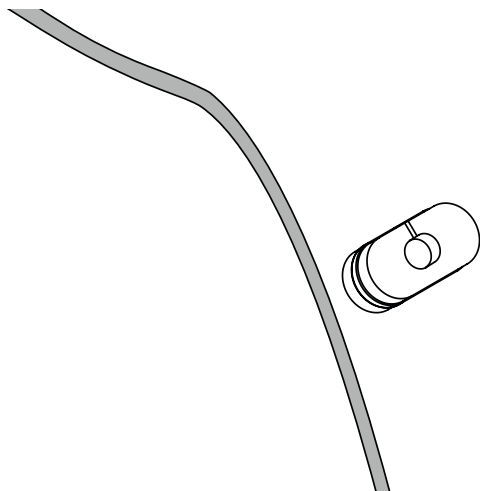




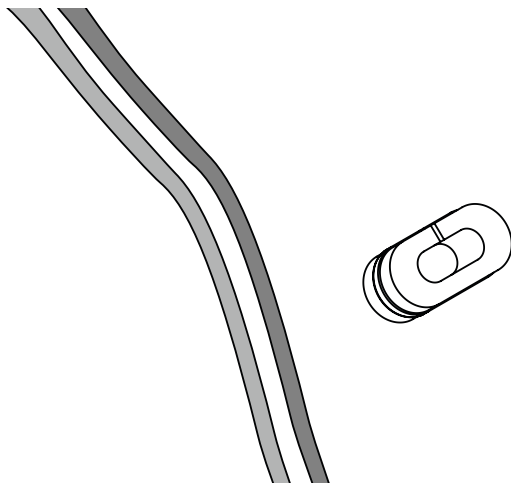


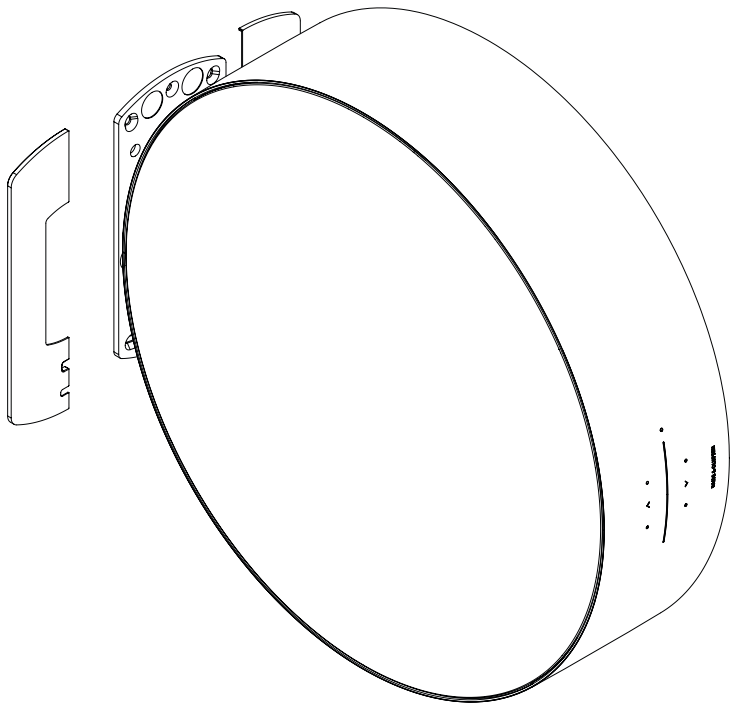


11 A



11 B





13

It is recommended to level out an uneven wall with the included spacers.

\* Use the correct size and type of screws and wall anchors - taking into account the construction and condition of the wall.

Use seven countersunk screws ( $\varnothing$  5 mm, 0.20") and wall anchors in the holes matching the side where the wall bracket is placed - each screw with a minimum load rating of 100 kg (220 lbs).

Special notice about light partition walls: If you intend to hang the BeoSound Edge on a gypsum wall (also known as drywall or wallboard), the wall bracket must be fastened to a vertical stud.

The screws must penetrate the gypsum and be screwed a minimum of 65 mm (2.5") into a vertical stud.)

14

