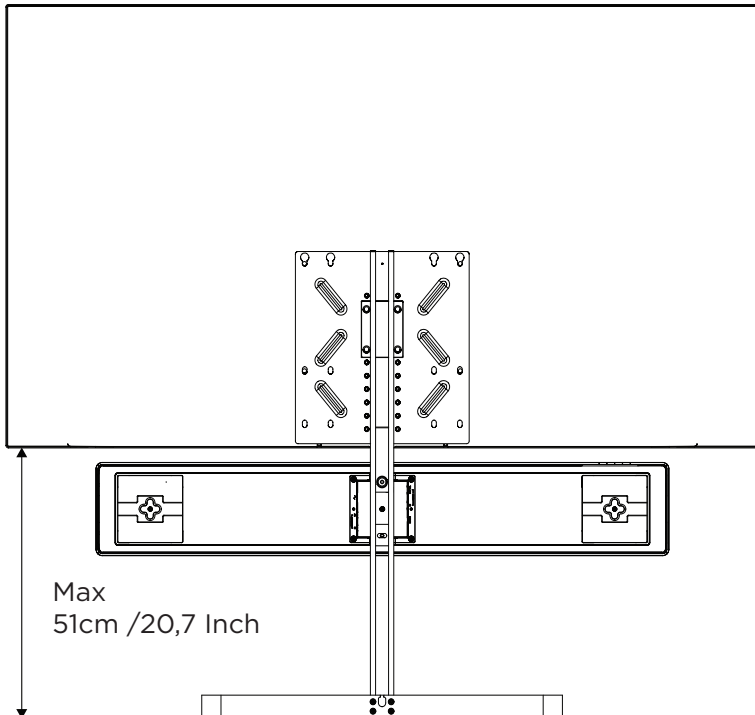
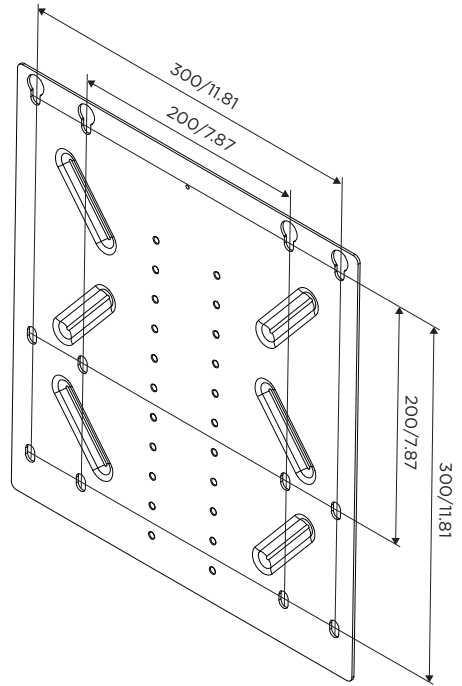


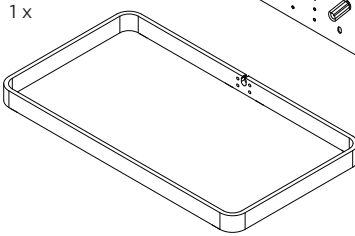
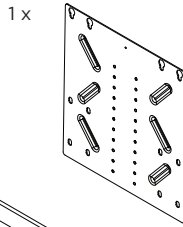
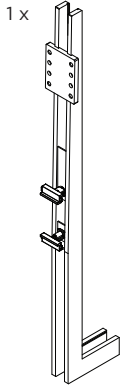
FLOOR STAND 4547
BEOSOUND STAGE

Vesa mounting holes:
Max. Vesa 300 x 300mm
min. Vesa 200 x 200 mm

For TVs up to 25.6 kg/55.2 lbs
to ensure safety and security

Recommended TV sizes: 43" - 65"





A: 4 x M6 * 20

B: 4 x M6 * 8

C: 4 x Washer

D: 2 x Spacer 2mm



Used for LG C series:

G: 4 x M6 * 20

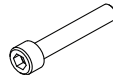
H: 4 x Washer



G: 4 x M6 * 12

G: 4 x M6 * 25

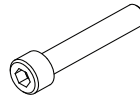
G: 4 x M6 * 35



G: 4 x M8 * 12

G: 4 x M8 * 25

G: 4 x M8 * 45



J: 4 x (M6)
Spacer 5mm

J: 4 x (M6)
Spacer 10mm

J: 4 x (M8)
Spacer 5mm

J: 4 x (M8)
Spacer 10mm

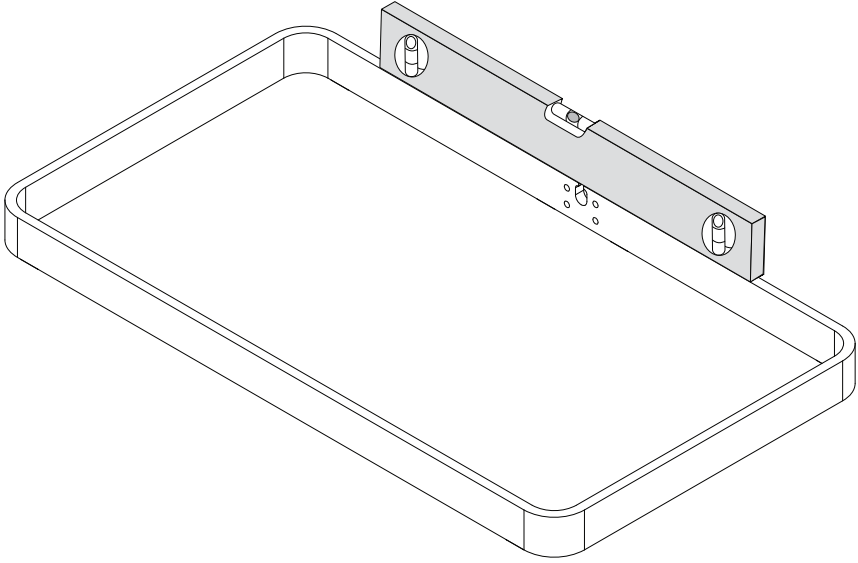


H: 4 x (M6) Washer

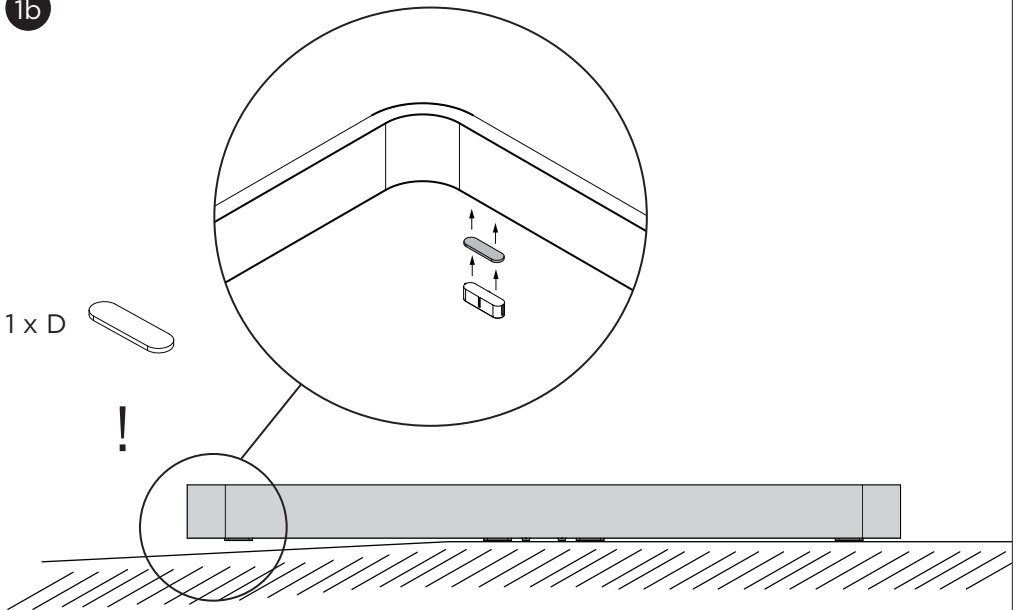
H: 4 x (M8) Washer



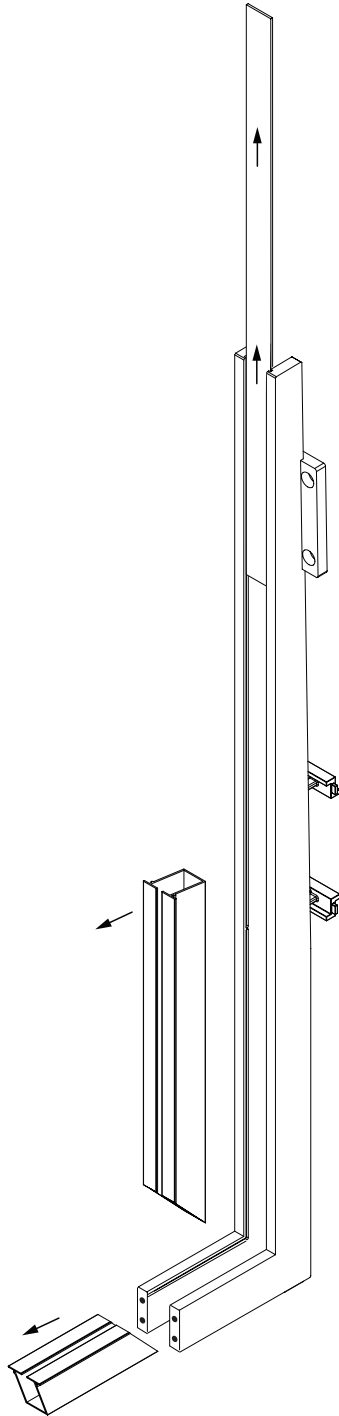
1a



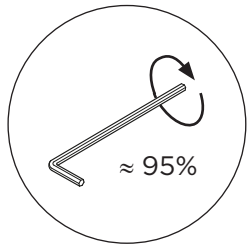
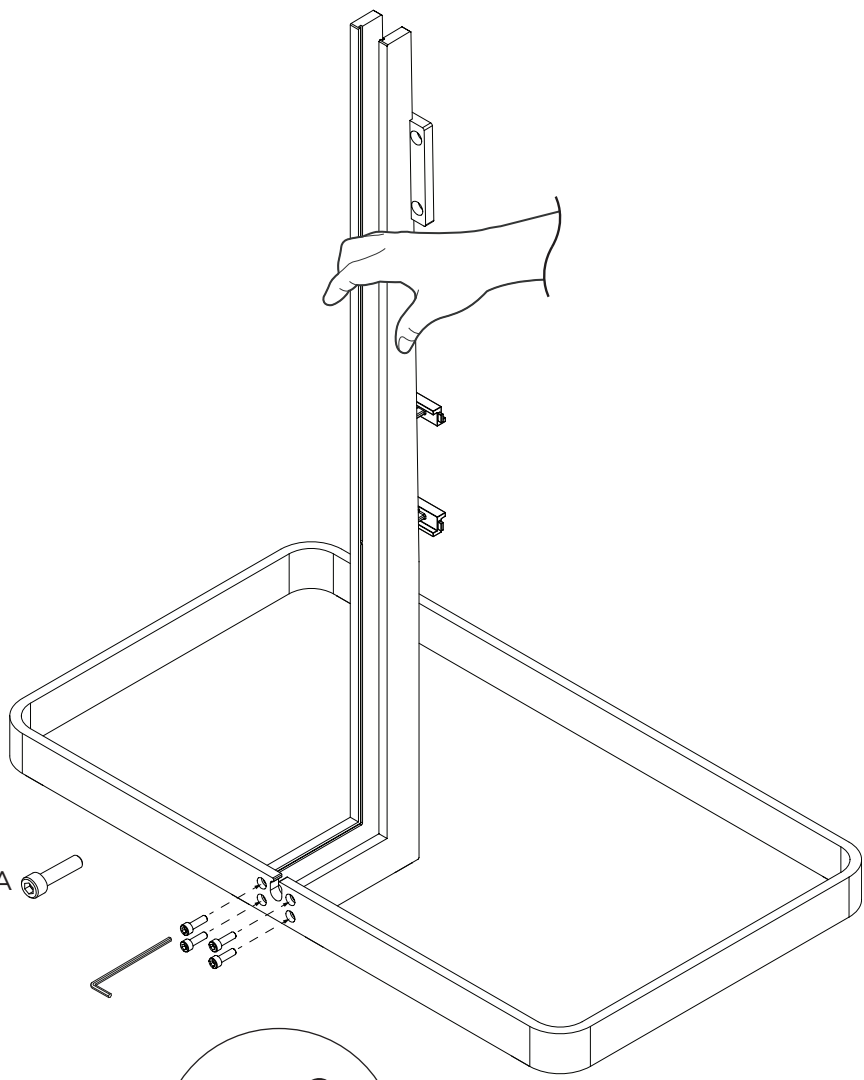
1b



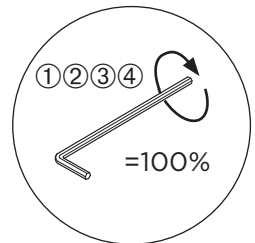
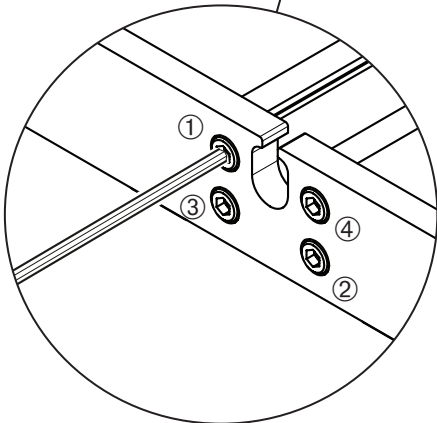
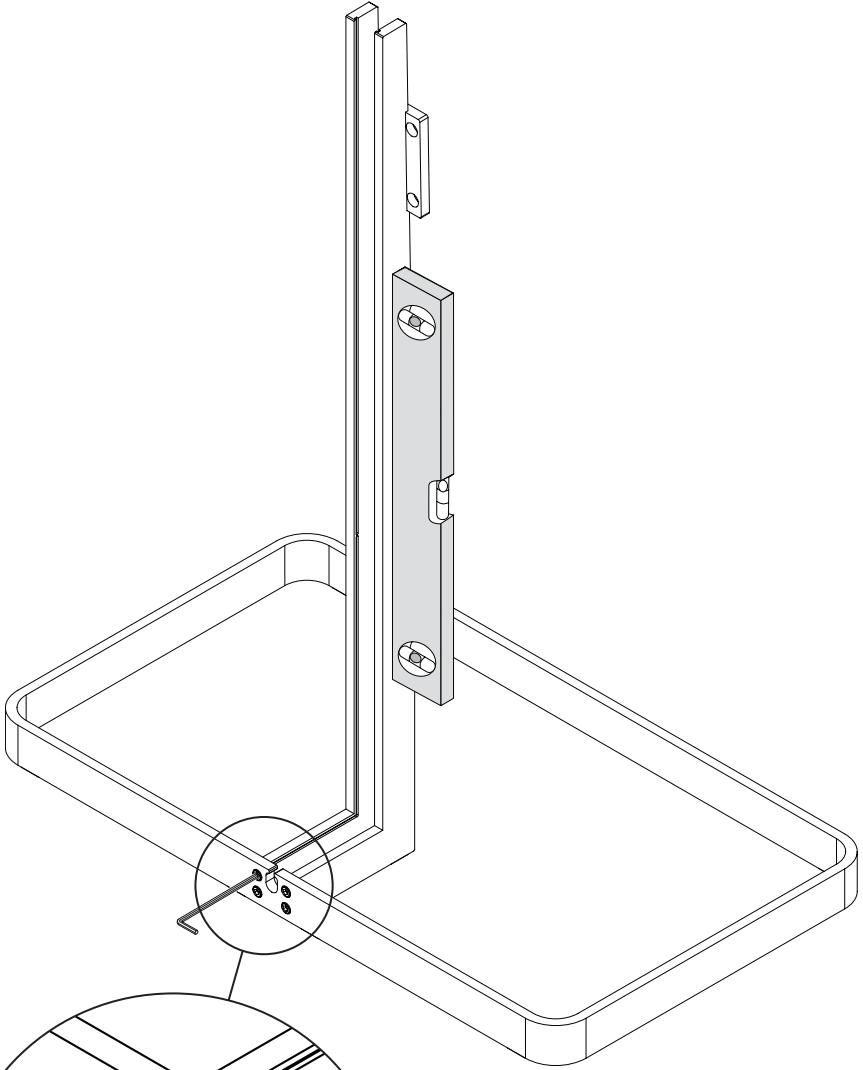
2



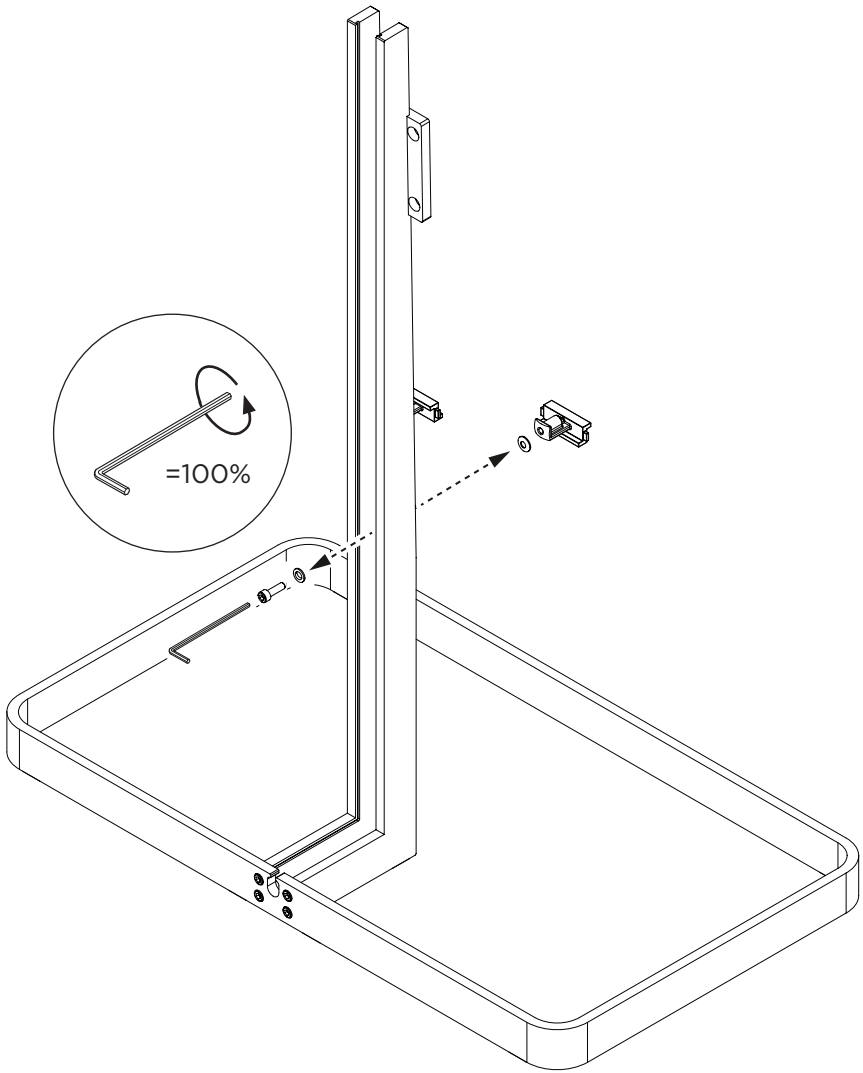
3



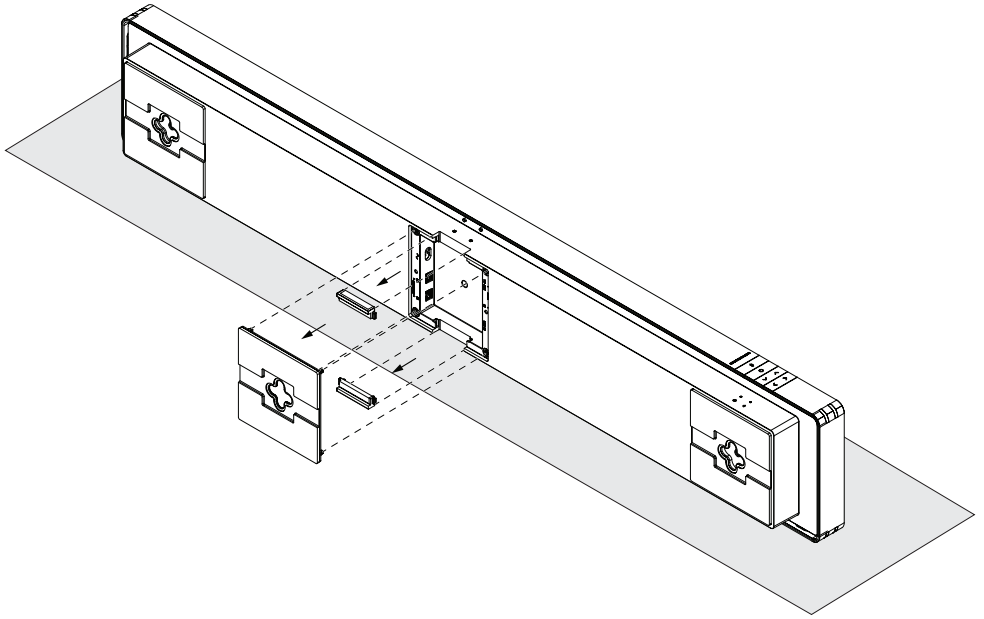
4



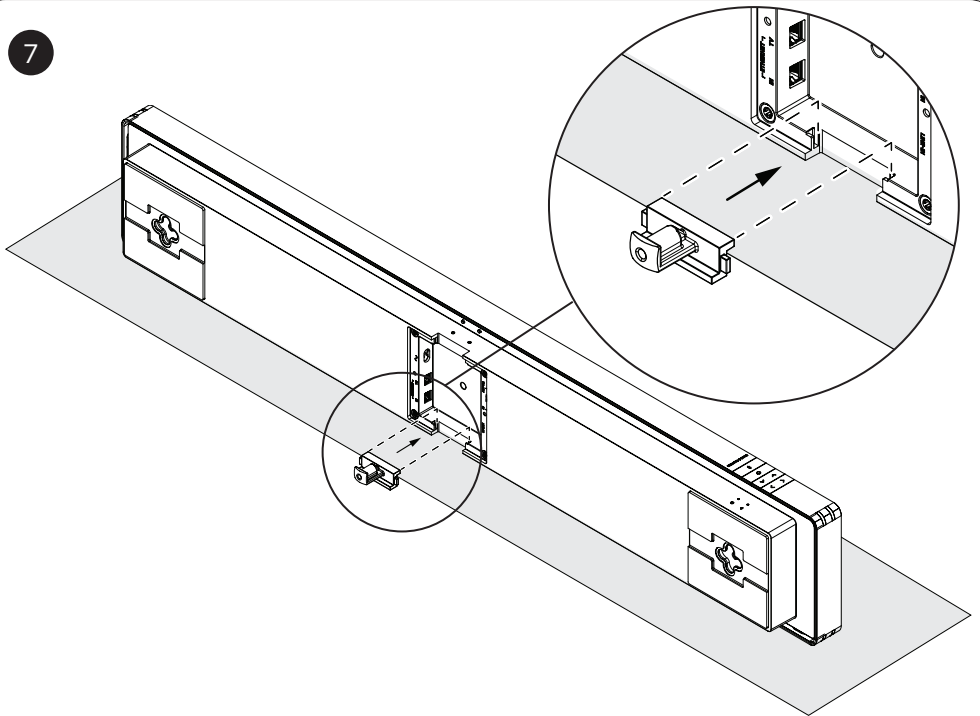
5

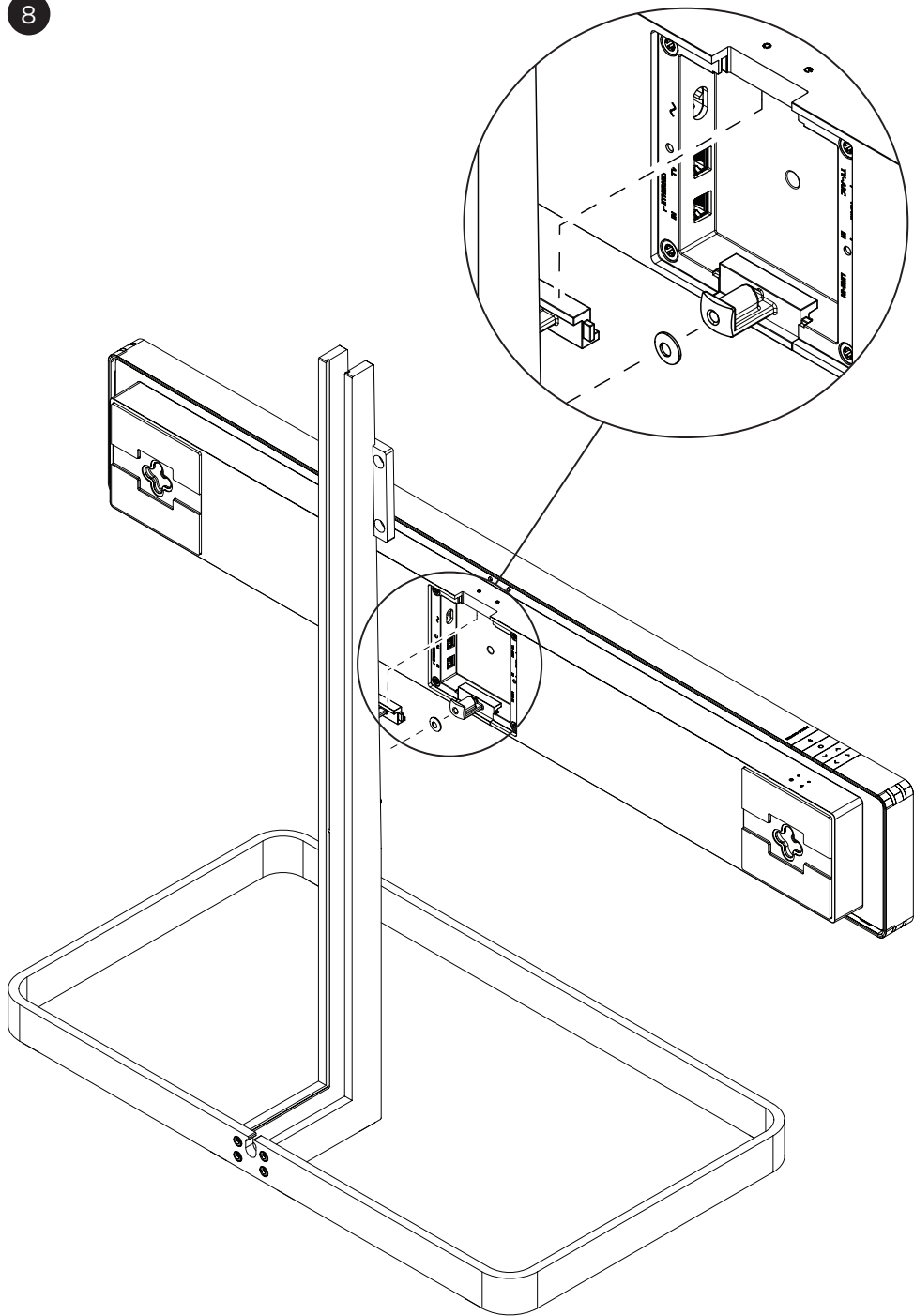


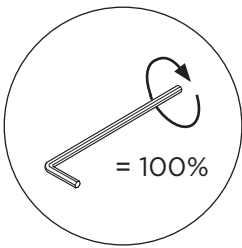
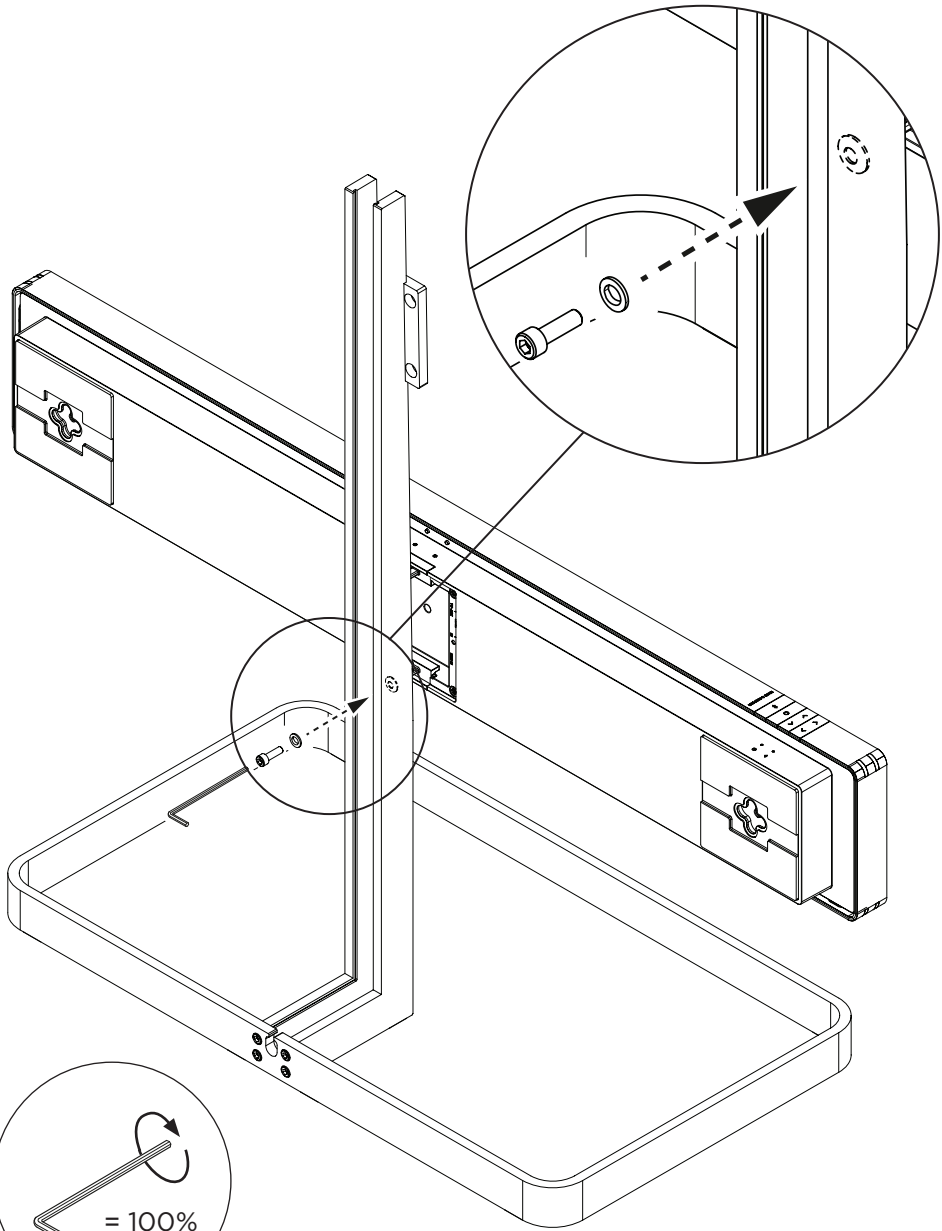
6

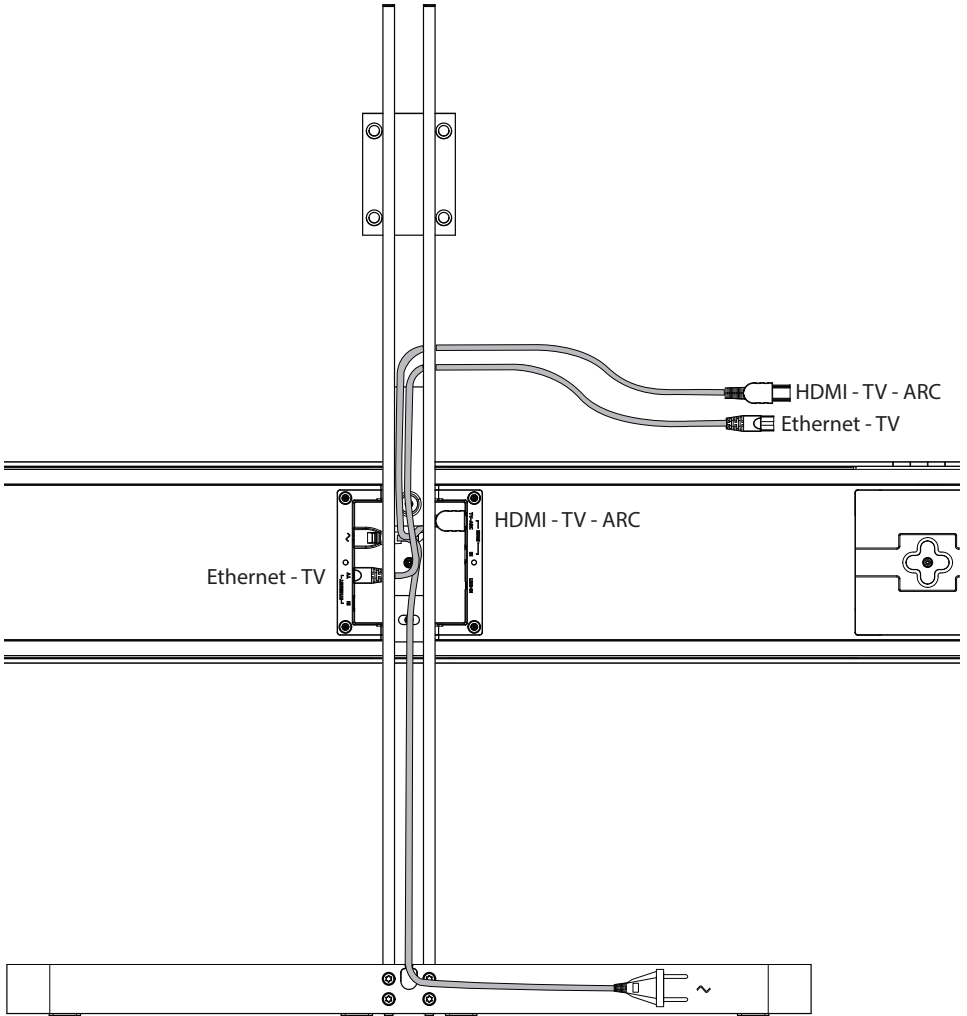


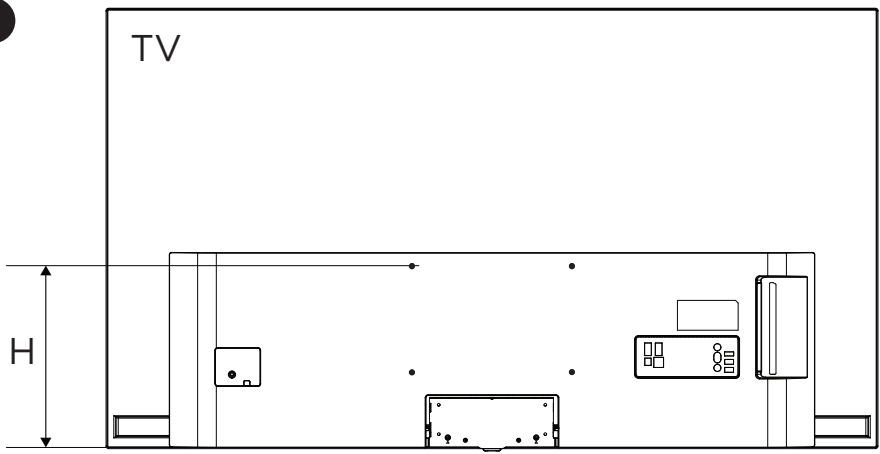
7





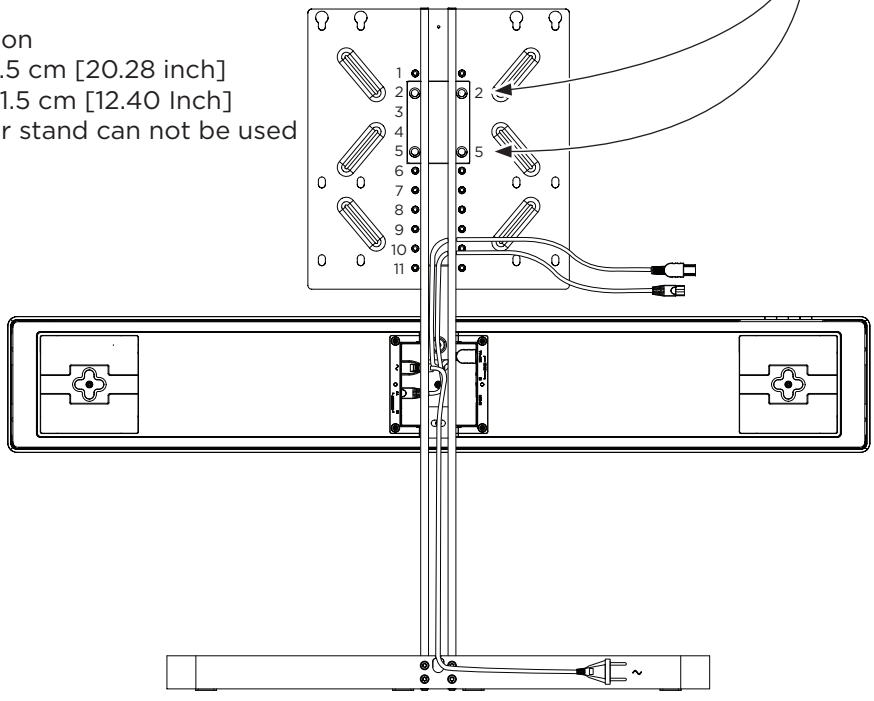


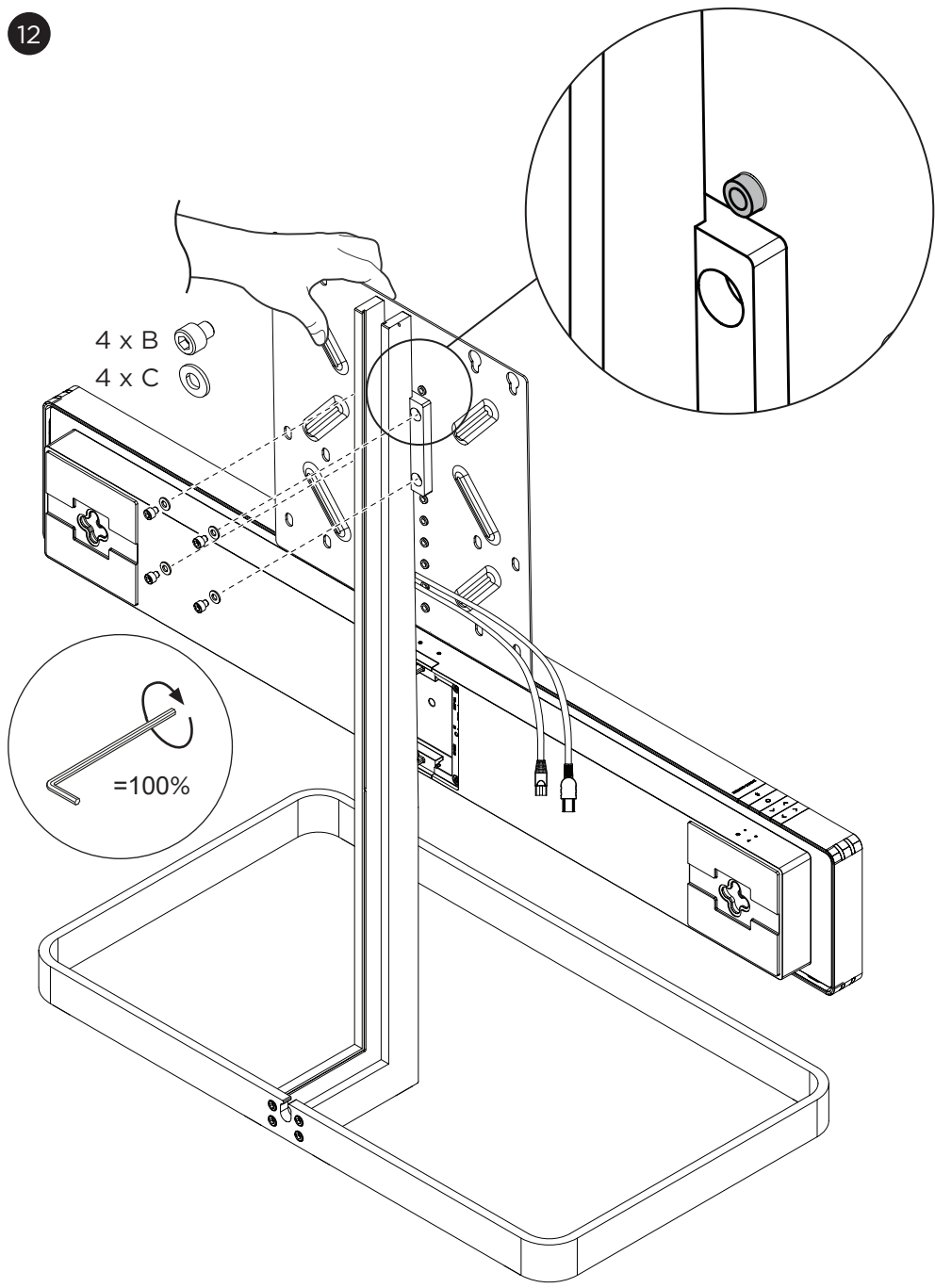




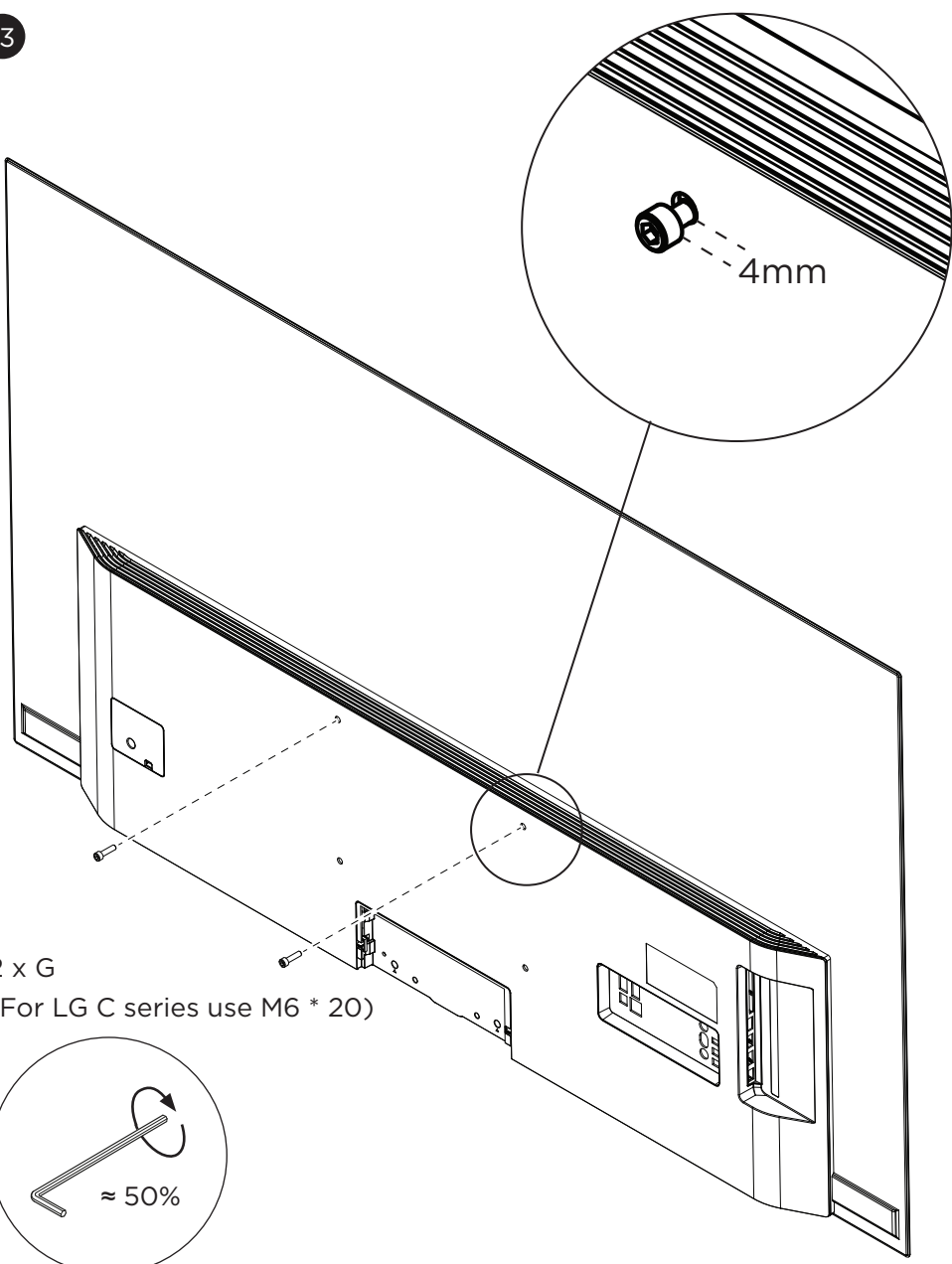
- H = 31.5 cm - 34.0 cm [12.40 inch - 13.37 inch] = 1 and 4
- H = 34.0 cm - 36.5 cm [13.37 inch - 14.37 inch] = 2 and 5
- H = 36.5 cm - 39.0 cm [14.37 inch - 15.35 inch] = 3 and 6
- H = 39.0 cm - 41.5 cm [15.35 inch - 16.34 inch] = 4 and 7
- H = 41.5 cm - 44.0 cm [16.34 inch - 17.32 inch] = 5 and 8
- H = 44.0 cm - 46.5 cm [17.32 inch - 18.31 inch] = 6 and 9
- H = 46.5 cm - 49.0 cm [18.31 inch - 19.29 inch] = 7 and 10
- H = 49.0 cm - 51.5 cm [19.29 inch - 20.28 inch] = 8 and 11

! Attention
 If $H > 51.5$ cm [20.28 inch]
 or $H < 31.5$ cm [12.40 inch]
 this floor stand can not be used

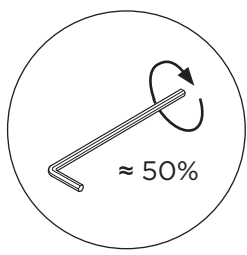


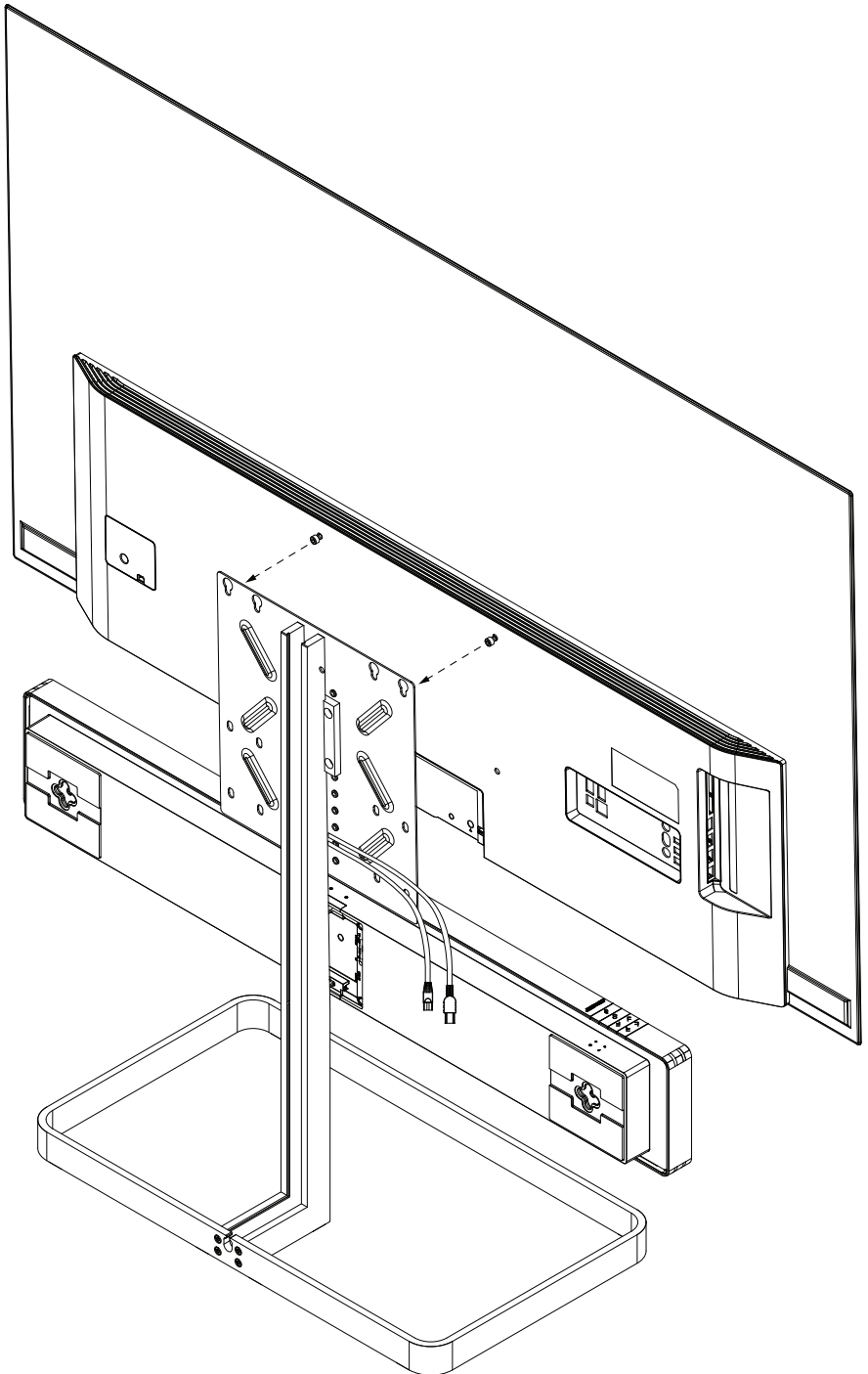


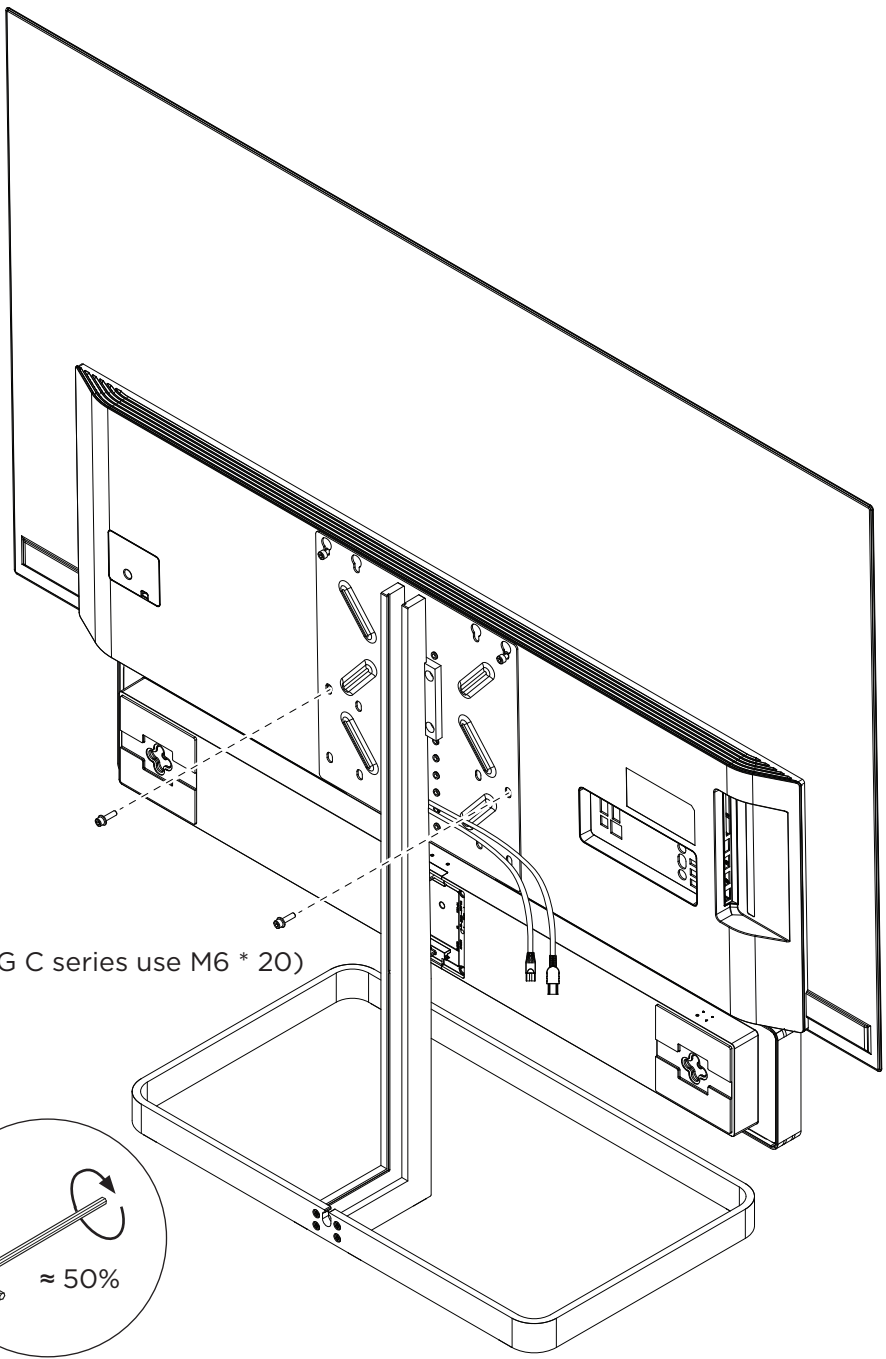
13



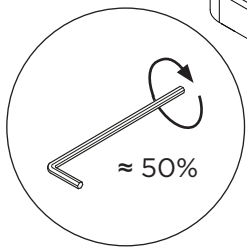
2 x G
(For LG C series use M6 * 20)

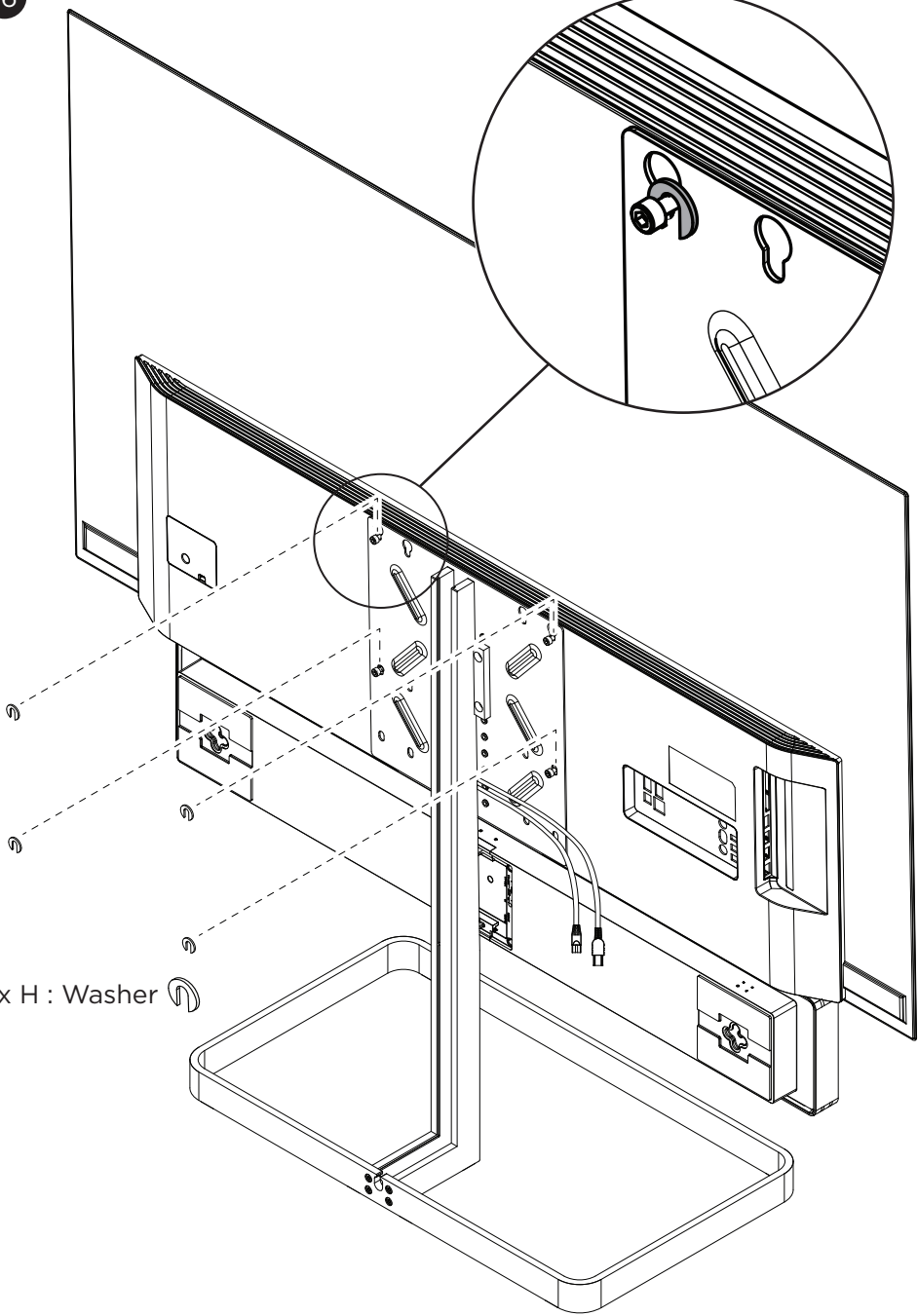
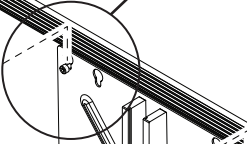
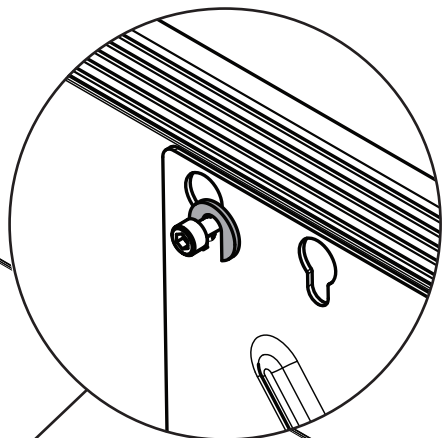






2 x G
(For LG C series use M6 * 20)





4 x H : Washer 